

September 2012

bardmathcircle@gmail.com

bardmathcircle.blogspot.com

Problems (We'll share solutions at the end.)

1. Compute $99 + 99 + 99 + 101 + 101 + 101$.
2. A set of marbles can be divided in equal shares among 2, 3, 4, 5 or 6 children with no marbles left over. What is the least number of marbles that the set could have?
3. The four-digit numeral $3AA1$ is divisible by 9. What digit does A represent?
4. If we count by 3s starting with 1, the following sequence is obtained:

$1, 4, 7, \dots$

What is the 100th number in the sequence?

Student Corner (From students.)

1. What was the largest ocean before Balboa discovered the Pacific?
2. What can a pitcher be filled with so that it is lighter than when it is filled with air? (Hint: it's not hydrogen.)

Math Birthdays

Winifred Edgerton Merrill

September 24, 1862. The first American woman to receive a Ph.D. in mathematics. Her Ph.D. was granted from Columbia University in 1886, and “...dealt with geometric interpretations of multiple integrals and translations and relations of various systems of co-ordinates”.

www.agnesscott.edu/lriddle/women/merrill.htm

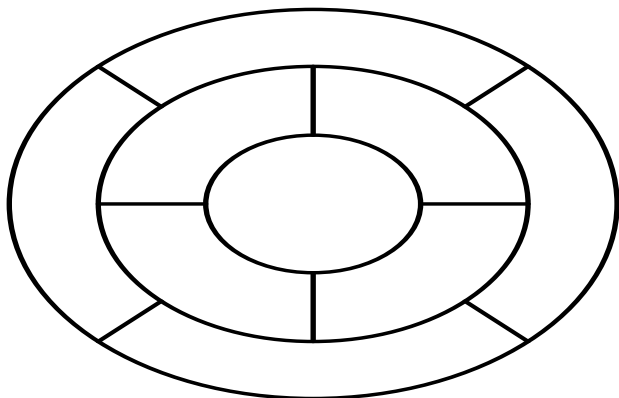


Percy Heawood

September 8, 1861. Made important contributions to the four color theorem.

www-history.mcs.st-andrews.ac.uk/

Mathematicians/Heawood.html

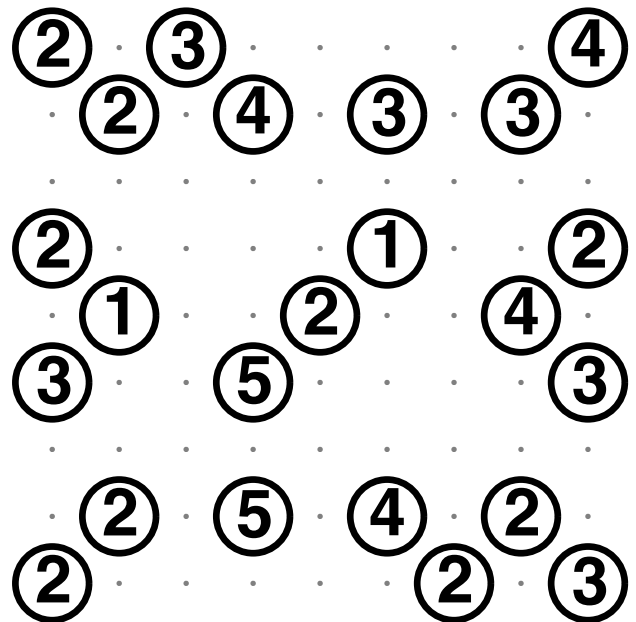


Can you color this map with 4 colors so that no neighboring regions are the same color?

Puzzles

8+		5+	
7+			10+
4x		6x	

lavoz.bard.edu



krazydad.com

Answers (Not the same as solutions!)

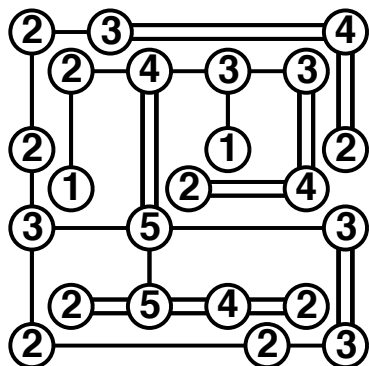
Problems

1. 300.
2. 60.
3. 7.
4. 298.

Student Corner

1. The Pacific Ocean.
2. Helium.

⁸⁺ 2	4	⁵⁺ 3	1
⁷⁺ 3	2	1	¹⁰⁺ 4
1	3	4	2
^{4x} 4	1	^{6x} 2	3



Upcoming Events

Kingston: Saturday, October 13th
Kingston: Saturday, November 10th
AMC-8 Exam: Tuesday, November 13th
Info: bardmathcircle.blogspot.com.

Answers (Not the same as solutions!)

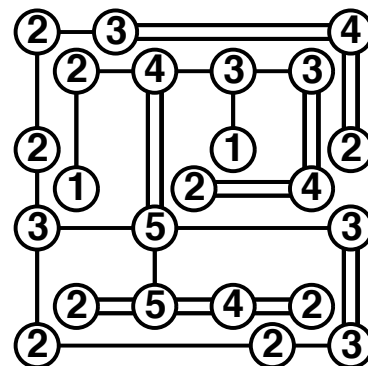
Problems

1. 300.
2. 60.
3. 7.
4. 298.

Student Corner

1. The Pacific Ocean.
2. Helium.

⁸⁺ 2	4	⁵⁺ 3	1
⁷⁺ 3	2	1	¹⁰⁺ 4
1	3	4	2
^{4x} 4	1	^{6x} 2	3



Upcoming Events

Kingston: Saturday, October 13th
Kingston: Saturday, November 10th
AMC-8 Exam: Tuesday, November 13th
Info: bardmathcircle.blogspot.com.