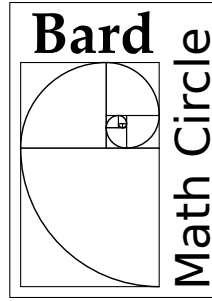


Problems

Sample questions from the AMC 8



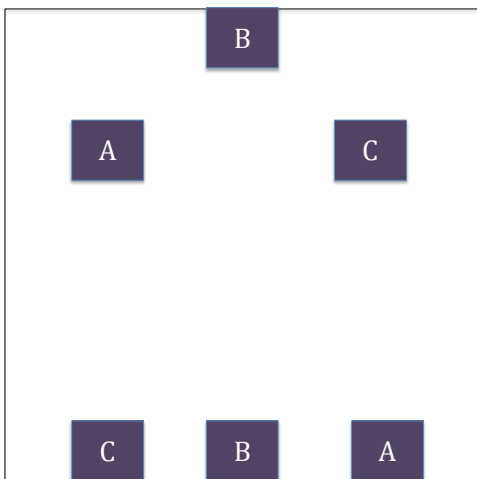
October 2012

bardmathcircle@gmail.com

bardmathcircle.blogspot.com

1. On average, for every 4 sports cars sold at the local car dealership, 7 sedans are sold. The dealership predicts that it will sell 28 sports cars next month. How many sedans does it expect to sell?
2. Which of the following figures has the greatest number of lines of symmetry?
(A) equilateral triangle
(B) non-square rhombus
(C) non-square rectangle
(D) isosceles trapezoid
(E) square
3. How many whole numbers between 1 and 1000 do **not** contain the digit 1?

Student Corner



Draw a line connecting Box A with Box A, Box B with Box B, and Box C with Box C without crossing lines or going outside the box. (The Art and Craft of Problem Solving, via Joy.)

Math Birthdays



Doris Schattschneider

October 19, 1939. Researched “Restricted Roots of a Semi-Simple Algebraic Group” to earn her Ph.D. in Mathematics from Yale in 1966. Later became well-known for her work in Geometry, specifically on tessellations of the plane and the art of M.C. Escher. www.agnesscott.edu/lriddle/women/schatt.htm

Puzzles

8+	5+		6+
	8×		
		5+	
9+			

lavoz.bard.edu

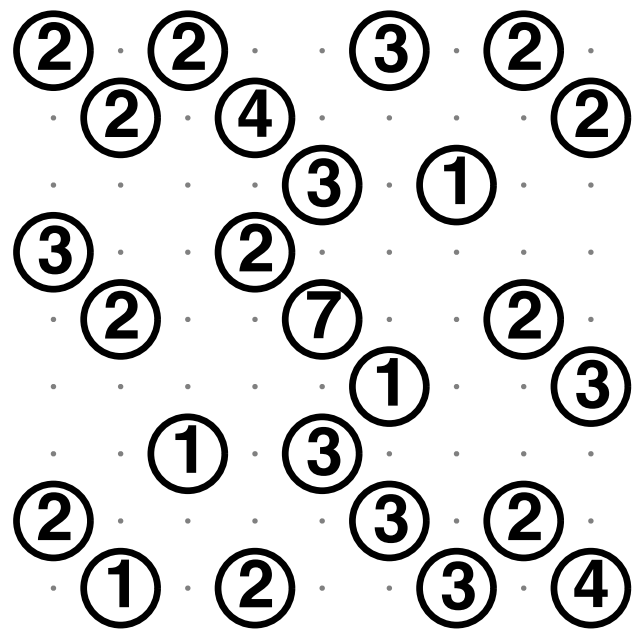


Kurt Reidemeister

October 13, 1893. A pioneer in the theory of knots.

www-history.mcs.st-andrews.ac.uk/

Mathematicians/Reidemeister.html



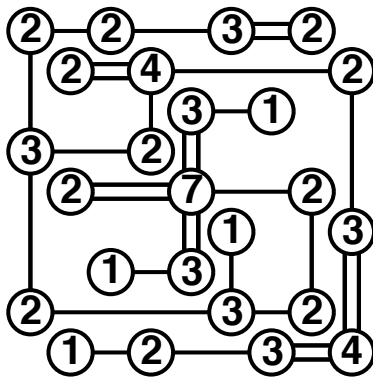
krazydad.com

Answers (Not the same as solutions!)

Problems

1. 49.
2. E.
3. 728.

8+	5+		6+
1	3	2	4
3	8×	4	2
4	2	5+	1
9+			
2	4	3	1



Upcoming Events

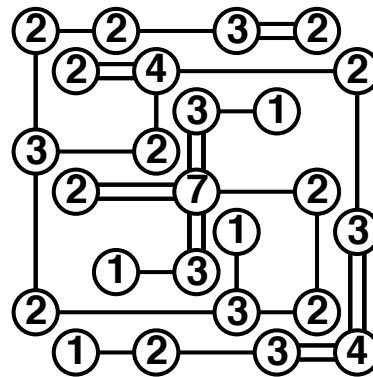
Tivoli: Friday, November 2nd
 Kingston: Saturday, November 10th
 AMC-8 Exam: Tuesday, November 13th
 Info: bardmathcircle.blogspot.com.

Answers (Not the same as solutions!)

Problems

1. 49.
2. E.
3. 728.

8+	5+		6+
1	3	2	4
3	8×	4	2
4	2	5+	1
9+			
2	4	3	1



Upcoming Events

Tivoli: Friday, November 2nd
 Kingston: Saturday, November 10th
 AMC-8 Exam: Tuesday, November 13th
 Info: bardmathcircle.blogspot.com.