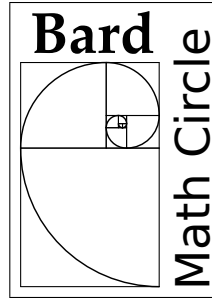


Problems

1. How many numbers between 10 and 210 are either a multiple of 2 or a multiple of 5?



June 2013

bardmathcircle@gmail.com

bardmathcircle.blogspot.com

2. How many positive whole numbers less than or equal to 200 are multiples of 2, 3 or 5?
3. A giant segmented tootsie roll is so enormous that you can only eat one or two segments at a time. How many ways are there to eat the tootsie roll, starting at one end, if the tootsie roll is 7 segments long?

Student Corner

What word do over 50% of college professors pronounce incorrectly? (Suggested by Katie.)

Math People



Charlotte Angas Scott June 8, 1858 – November 10, 1931. One of England's first women to earn a doctorate in mathematics. She moved to the United States to teach at Bryn Mawr College, where she was influential in raising mathematical standards, especially in arithmetic, algebra and plane geometry. She published over 30 research papers as well as a textbook in *Plane Analytical Geometry*. She was vice-president of the American Mathematical Society after serving for many years on committees.

www.agnesscott.edu/lriddle/women/scott.htm



Giovanni Cassini June 8, 1625 – September 14, 1712. Giovanni Cassini studied the curve which is the locus of a point the product of whose distances from two fixed foci is constant. Also an astronomer, he discovered four moons of Venus.

www-history.mcs.st-andrews.ac.uk/

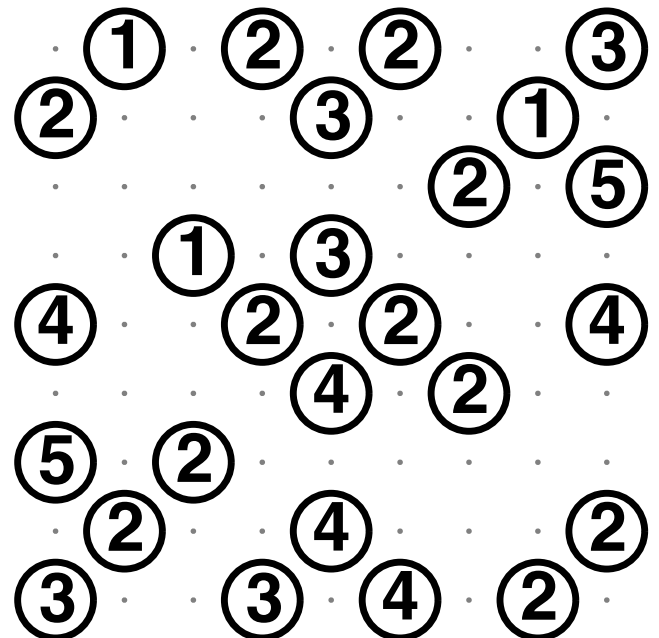
[Mathematicians/Cassini.html](#)

Puzzles

KenKen: Place the numbers 1, 2, 3, 4 and 5 in the grid below, so that each appears once in each row and column. The numbers in each cage, when combined with the operation given, must result in the target number shown. lavoze.bard.edu

6+		40×		6+
	12+			
10+		9+		
			12+	
24×				

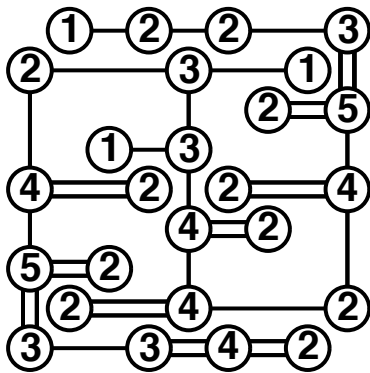
Bridges: Connect islands with single and double bridges. All bridges must be vertical or horizontal, and the numbers indicate exactly how many bridges leave the island. Bridges may not cross, and the result is *simply* connected. krazydad.com



Answers (Not the same as solutions!)

121, 146, 21

⁶⁺ 4	1	^{40×} 2	5	⁶⁺ 3
1	¹²⁺ 5	3	4	2
¹⁰⁺ 2	4	⁹⁺ 5	3	1
5	3	1	¹²⁺ 2	4
^{24×} 3	2	4	1	5



Upcoming Events

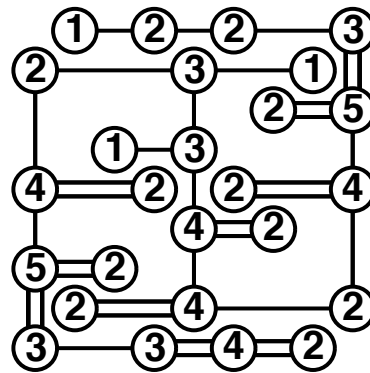
See you this Fall!

Info: bardmathcircle.blogspot.com.

Answers (Not the same as solutions!)

121, 146, 21

⁶⁺ 4	1	^{40×} 2	5	⁶⁺ 3
1	¹²⁺ 5	3	4	2
¹⁰⁺ 2	4	⁹⁺ 5	3	1
5	3	1	¹²⁺ 2	4
^{24×} 3	2	4	1	5



Upcoming Events

See you this Fall!

Info: bardmathcircle.blogspot.com.