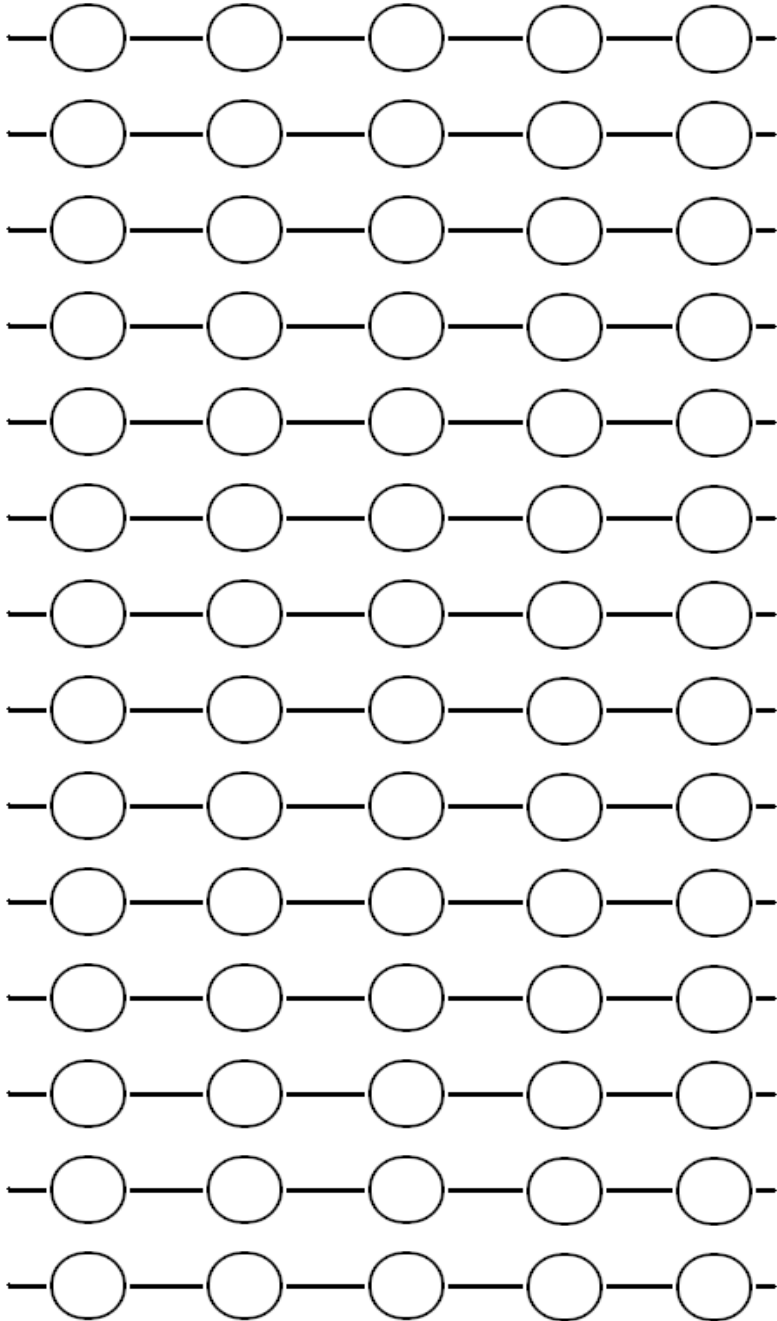
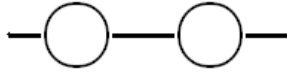


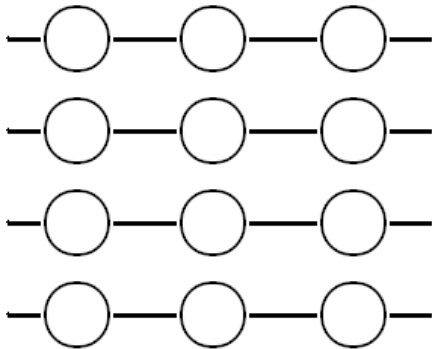
Color chains with 2 blue beads and 3 white beads.
How many different colored chains can you make with
2 blue and 3 white beads?



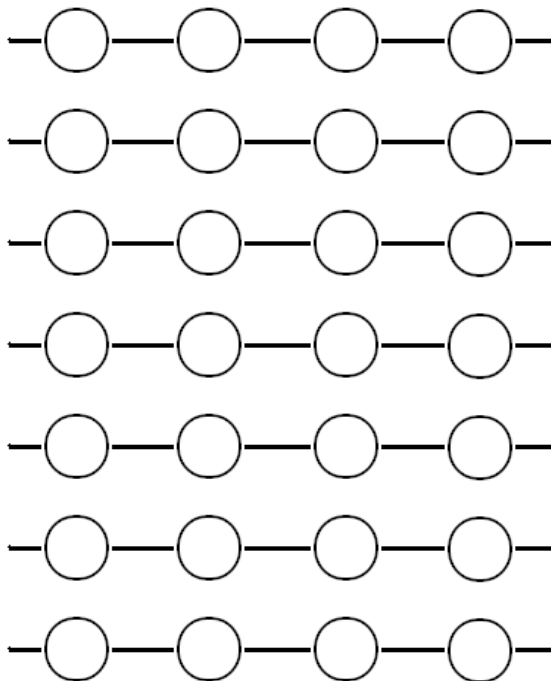
How many different colored chains can you make with just 2 blue beads?



2 blue beads and 1 white bead?



2 blue beads and 2 white beads?

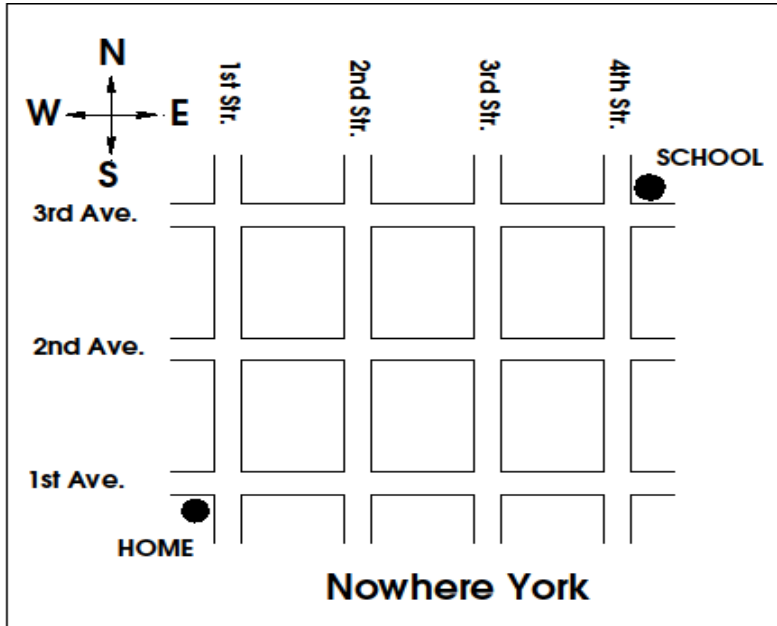


Five (5) friends want to shake hands with each other.
How many handshakes will occur?

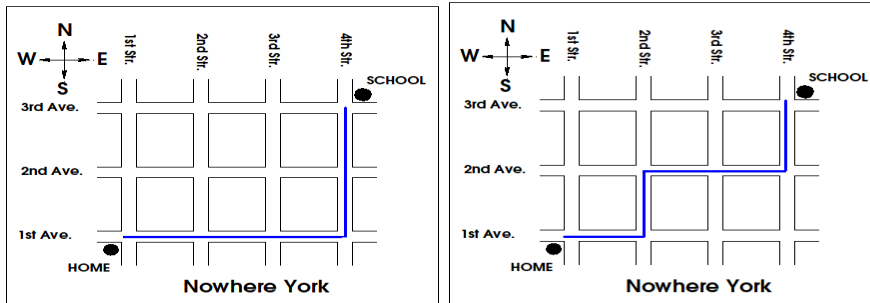


What will happen if the 6th friend comes and wants to shake hands with the ones who are already present?

Below is a map of the Nowhere York city. Valid moves are only east (right) and north (up). How many different paths from home to school can you find?



Example of the possible paths:



How many blocks east and how many blocks north should you pass to go from Home to School?

The alphabet of tribe Mumbo has only 2 letters A and B. How many words are there in the Mumbo language with 3 letters A and 2 letters B? For example: BABAA. What if the alphabet of tribe Mumbo has only letters N and E? How many words would it be with 3 letters E and 2 letters N?